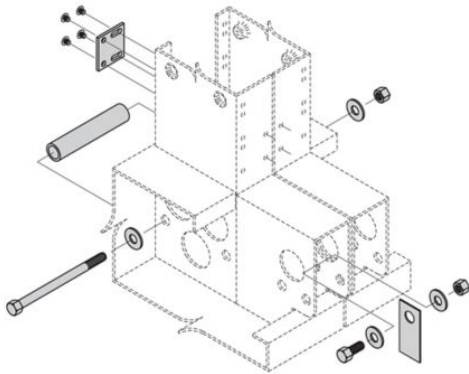


Eaton SB559101YZ

Catalog Number: SB559101YZ

Eaton B-Line series open frame racks, Steel, Junction plates, spacers and hardware, Yellow zinc, Junction kit

General specifications



Product Name	Catalog Number
Eaton B-Line series open frame racks	SB559101YZ
UPC	Product Length/Depth
799038027553	1 in
Product Height	Product Width
96 in	1 in
Product Weight	Certifications
0.92 lb	Not Applicable

Product specifications

Model

Junction kit

Material

Steel

Finish

Yellow zinc chromate

Resources

Brochures

[RCM and RCM+ brochure](#)

Specifications and datasheets

[Eaton Specification Sheet - SB559101YZ](#)



Eaton Corporation plc
Eaton House
30 Pembroke Road
Dublin 4, Ireland
Eaton.com

© 2023 Eaton. All Rights Reserved.

Eaton is a registered trademark.

All other trademarks are property of their respective owners.



[Eaton.com/socialmedia](https://www.eaton.com/socialmedia)